

**SIDE MINI STEPPER MS-300T**

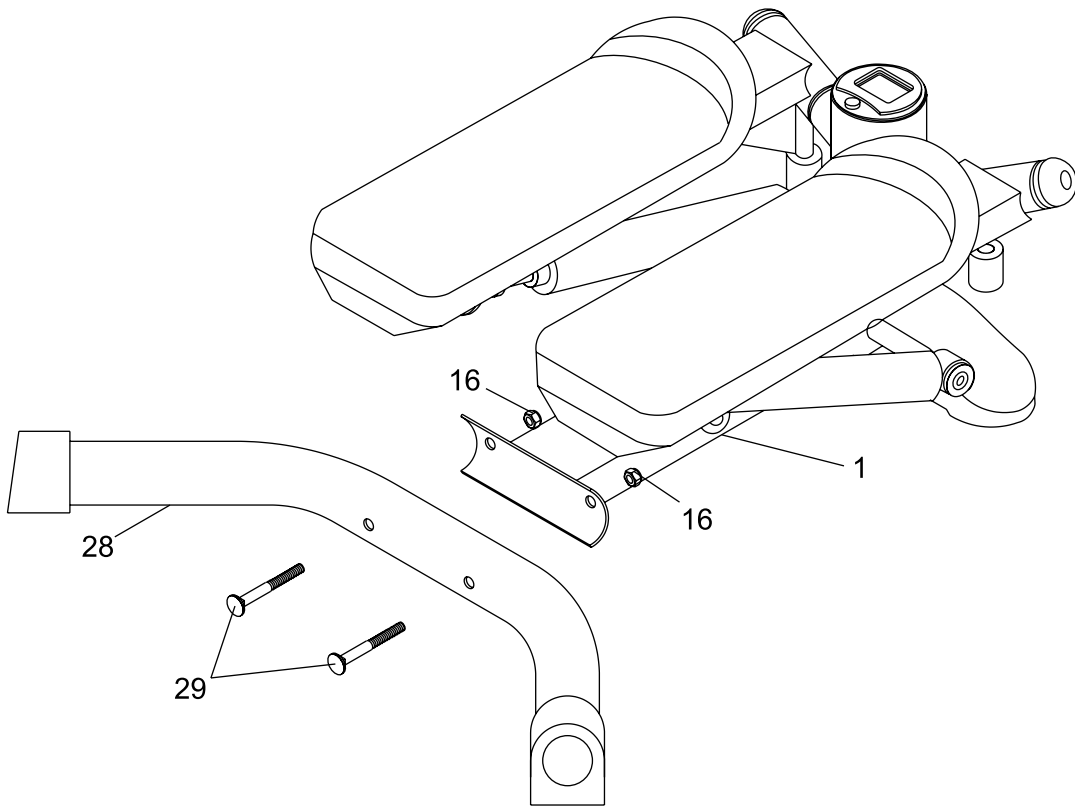
**JELSTREAM®**



Owner's  
manual

**ASSEMBLY INSTRUCTIONOW**

**Fasten rear stabilizer.**

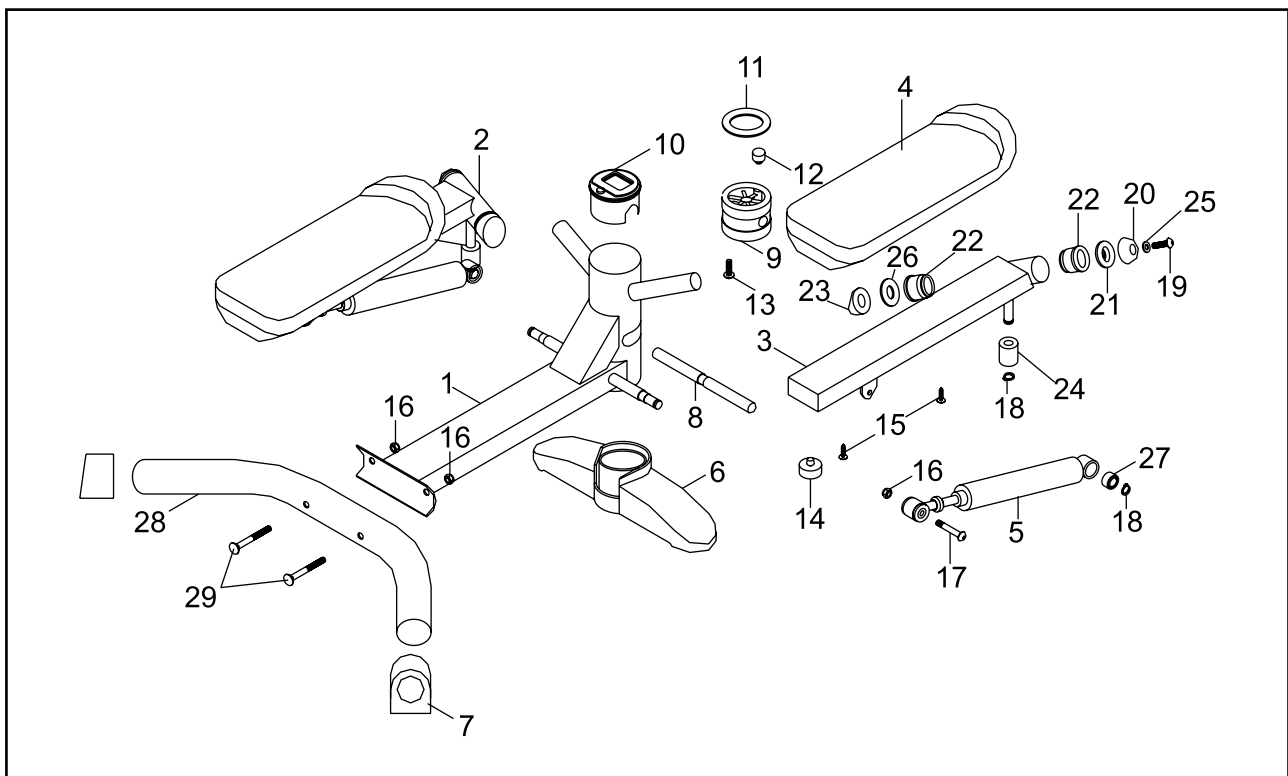


# PARTS LIST

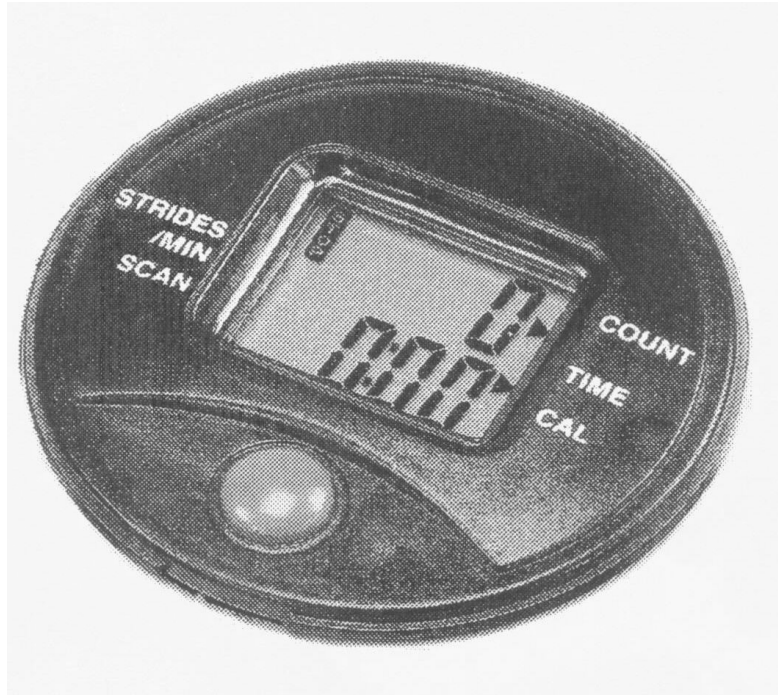
NO.	DESCRIPTION	Q'TY
1	Main base	1
2	Footrest Support (L)	1
3	Footrest Support (R)	1
4	Footrest	2
5	Cylinder	2
6	Front Stand	1
7	Plastic Cap	2
8	Pivot 5/8 x 170	1
9	Sensor Stand	1
10	Meter	1
11	Washer 48 x 70	1
12	Magnet	1
13	Bolt 8 x 20mm	1
14	Bumper	2
15	Bolt 6 x 20mm	4

NO.	DESCRIPTION	Q'TY
16	Nut 8M	4
17	Bolt 8 x 40mm	2
18	"C" Ring	4
19	Bolt 8 x 25mm	2
20	Plastic Bushing	2
21	Washer	2
22	Bushing	4
23	Plastic Bushing	2
24	Bushing 21 x 25	2
25	Washer 8 x 5/8	2
26	Washer 19 x 40	2
27	Scrolling Bushing	2
28	Rear Floor Bar	1
29	Bolt 8 x 60mm	2

## EXPLODED VIEW



## OPERATING COMPUTER INSTRUCTION



### **Switch on**

After inserting batteries and/or after pressing any button the display will be blinking for some seconds.

### **Function buttons**

**MODE** Press to select any function to be displayed on the main screen.

**RESET** To clear the display and reset all data. Press for 3 seconds to clear all data.

### **Function description**

**Time:** Displays time function by pressing the mode button.

**Number:** Displays number of step movements.

**Calories:** Displays calorie burn function by pressing the mode.

**Scan:** Displays each functions with an interval of approximately 5 seconds.

**The display will shut down automatically after 4 minutes of non-activity.**



MS300T-050726GB