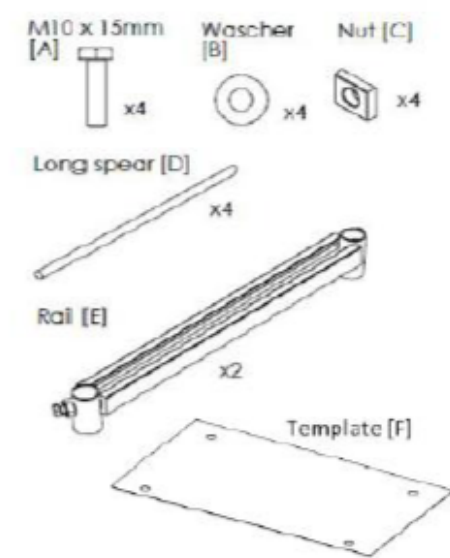
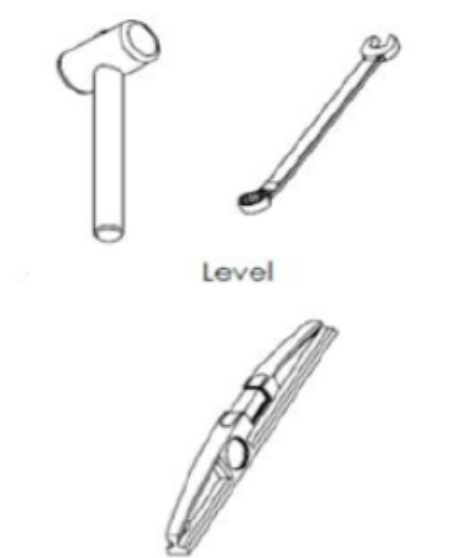
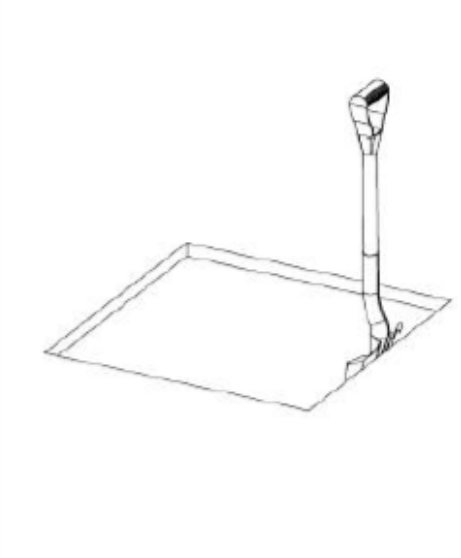
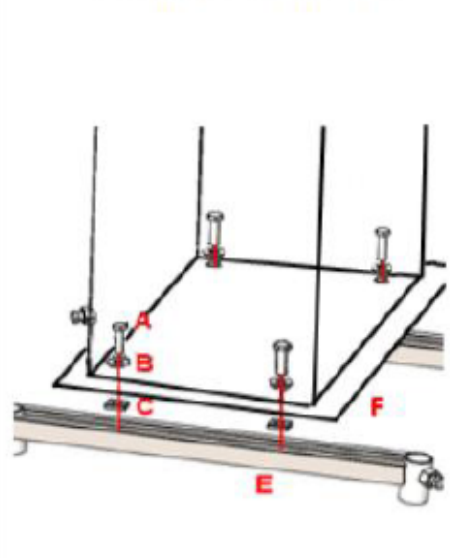
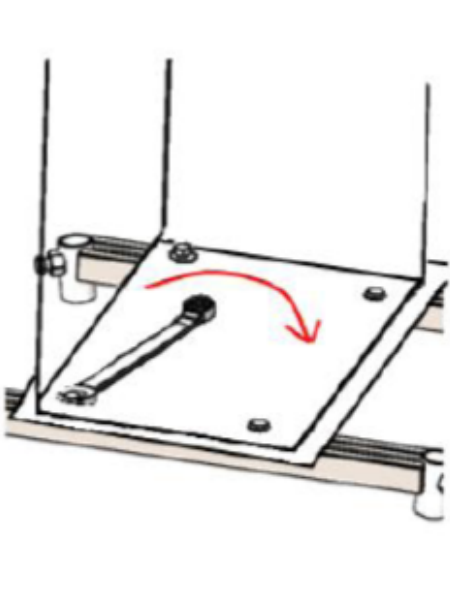


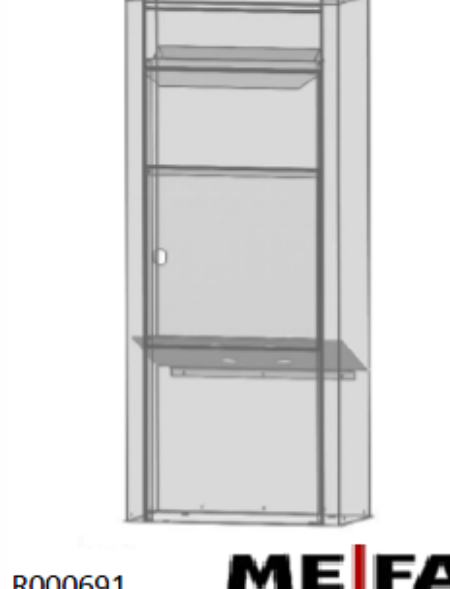


# ME | FA Rowan 471 - Easy mounting instruction

TO BE PURCHASED SEPARATELY

<p><b>1</b> Parts (not included)</p> <p>M10 x 15mm [A] x4 Wascher [B] x4 Nut [C] x4</p> <p>Long spear [D] x4</p> <p>Rail [E] x2</p> <p>Template [F]</p> 	<p><b>2</b> Tools</p> <p>Hammer Wrench Level</p> 	<p><b>3</b> Remove top soil</p> 	<p><b>4</b> Mounting rails through template to the box</p> 
<p><b>5</b> Tighten screws</p> 	<p><b>6</b> Hammer in spears</p> 	<p><b>7</b> Level the box</p> 	<p><b>8</b> Cover the ground</p> 

R000691

**ME | FA**