

## 9" DESK FAN



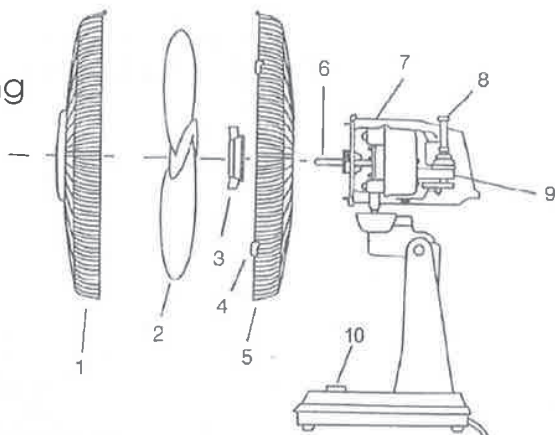
Thank you for purchasing this fan. Please read all instructions carefully and keep for future reference.

Dear Customer,

In order to avoid damage due to incorrect use, please read through these operating instructions carefully before connecting your device to the mains. Please pay particular attention to the safety information. If you pass the device on to a third party, these operating instructions must also be handed over.

## STRUCTURE

1. Front guard
2. Fan blade
3. Guard mounting ring
4. Position fixers
5. Rear guard
6. Motor shaft
7. Motor housing
8. Oscillation knob
9. Motor
10. Speed knobs



## SPECIFICATIONS:

PLUG TYPE	VOLTAGE	FREQUENCY	POWER
VDE two round plug	220-240V~	50/60Hz	32W

## ASSEMBLY

1. Attach the base to the stand with the 6 screws.
2. Loosen the guard mounting nut from the motor housing.
3. Place the rear guard firmly onto the motor housing, then fasten it by turning the guard mounting nut clockwise until it is tight.
4. Push the blades along the motor shaft, then fasten them securely by turning the blade nut anti-clockwise.
5. Hang the front guard onto the rear guard using the position fixer on the guard's rim, then join them together with the clips provided.
6. Secure the front guard and the rear guard with the small screw and nut.

## OSCILLATION CONTROL

1. Use the buttons on the fan body to turn the fan on or off and to change the speed: 0 - stop; 1 - low speed; 2 - high speed.
2. Oscillation: Push the oscillation knob to make the fan move from side to side. Pull the oscillation knob to stop the movement.
3. Pitch: To change the pitch angle of the fan, push the fan guard up or down to the desired angle.

## CAUTION

- Incorrect operation and improper use can damage the appliance and cause injury to the user.
- The appliance may be used only for its intended purpose. No responsibility can be taken for any possible damage caused through incorrect use or improper handling.
- Before connecting the appliance to the power source, check that the current and power match those specified on the rating label.
- Do not put the appliance or the plug in water or any other liquid. If the appliance accidentally falls into water, make sure your hands are dry and unplug the appliance immediately. Discard the appliance once it is safe to do so.
- Never attempt to open the housing yourself.
- Do not place any kind of object into the housing.
- Do not use the appliance with wet hands, or on a damp floor or when the appliance itself is wet.

- Do not touch the plug with wet or damp hands.
- Check the power cable and the plug regularly for any possible damage.  
If the power cable or plug is damaged, it must be replaced by the manufacturer or a qualified person to avoid creating a hazardous situation.
- Do not use the appliance if it is dropped or otherwise damaged, or if the power cable or plug are damaged.  
If the appliance is damaged, take it to the authorised service centre for examination and repair if necessary.
- Never attempt to repair the appliance yourself. This could cause an electric shock.
- Do not allow the power cable to hang over sharp edges. Also keep the power cable well away from hot objects and naked flames. Only ever remove the plug from the mains socket by holding the plug itself.
- Make sure there is no danger of the power cable or an extension cable being inadvertently pulled or causing anyone to trip when the appliance is in use.
- If an extension cable is used it must be suited to the power consumption of the appliance, otherwise overheating of the extension cable and/or plug may occur.
- This appliance is not suitable for commercial use nor for use in the open air.

- Never leave the appliance unattended while it is in use.

**ATTENTION:**

- Children cannot recognise the dangers associated with incorrect use of electrical appliances.

So, never allow children to use household appliances without supervision.

- Always remove the plug from the mains socket when the appliance is not in use and each time before it is cleaned.
- Danger! Nominal voltage is still present in the appliance as long as the appliance is connected to the mains socket.
- Switch the appliance off before disconnecting it from the mains.
- Never use the power cable to carry the appliance. Use handles to carry the appliance.
- Ensure that the mains socket where you plug your fan in corresponds to the voltage specified on the rating label on the base of the appliance
- This appliance can be used by children aged 8 years and above and persons with reduced physical, sensory or mental capabilities or a lack of experience and knowledge if they have been given supervision or instruction concerning safe use of the appliance and understand the hazards involved.
- Children must not play with the appliance.
- Cleaning and user maintenance must not be carried out by children without supervision.

## CARE AND CLEANING

To take care of your fan safely, remember to follow these instructions:

- ◆ Before cleaning the fan, always remove the plug from the mains socket and allow the fan to stop completely.
- ◆ Do not allow water to drip onto or enter the fan housing.
- ◆ Always use a soft wet cloth to clean the body, and a vacuum cleaner to clean the dust from the blades.
- ◆ Do not use any of the following agents as a cleaner: gasoline, thinners or benzene.
- ◆ If you believe that a malfunction may have occurred, do not try to repair the fan yourself as this may cause a fire hazard or electric shock.
- ◆ Clean the fan grill, housing and base with a soft, damp cloth.
- ◆ Do not attempt to remove the fan blades. Exercise caution around the motor housing area.
- ◆ Do not allow the motor or any other electrical components to be exposed to water.
- ◆ If your fan is not required for some time and you place it in storage, it is important to keep it in a safe and dry location. It is also important to protect the fan head from dust. We strongly recommend using the original box when storing the fan.



The symbol above, which also appears on the product, means that the product is classed as electrical or electronic equipment and should not be disposed of with other household or commercial waste at the end of its useful life.

The Waste of Electrical and Electronic Equipment (WEEE) Directive was put in place to ensure that products are recycled using the best available recovery and recycling techniques, minimising the impact on the environment, treating any hazardous substances and avoiding the proliferation of landfill. Contact the local authorities for information about the correct disposal of electrical or electronic equipment.