








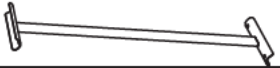






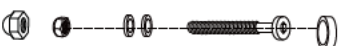

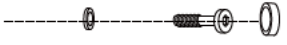


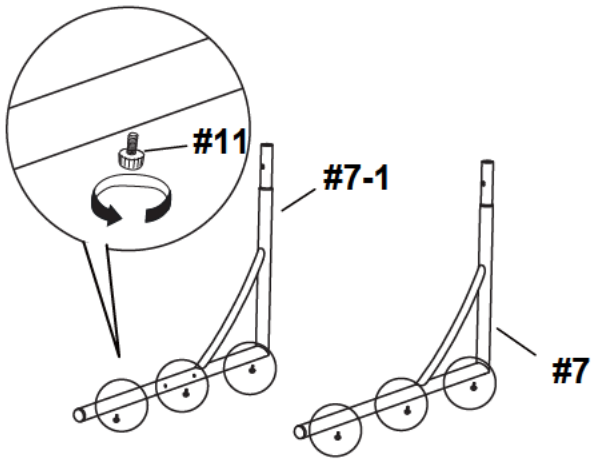


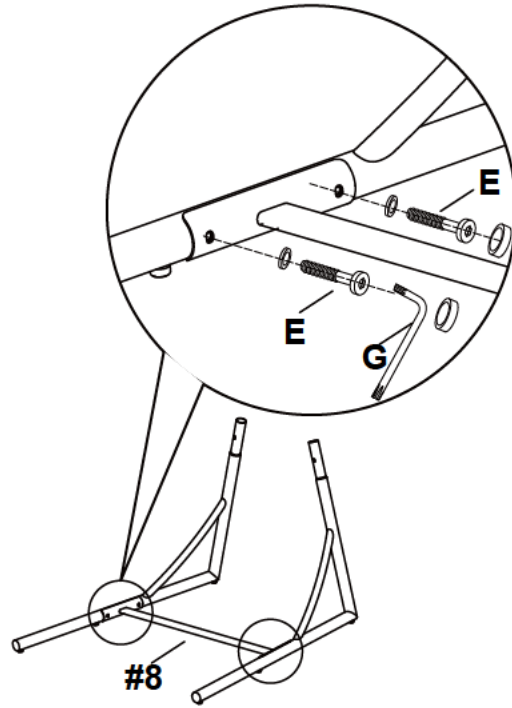
#1		1
#2		1
#3		1
#4		1
#5		1
#6		1
#6-1		1
#7		1
#7-1		1
#8		1
#9		1
#10		1
#11		6
#12		2

A	 M8 X 130MM	1
B	 M8 X 90MM	2
C	 M8 X 60MM	2
D	 M8 X 40MM	4
E	 M8 X 20MM	6
F		2
G		1

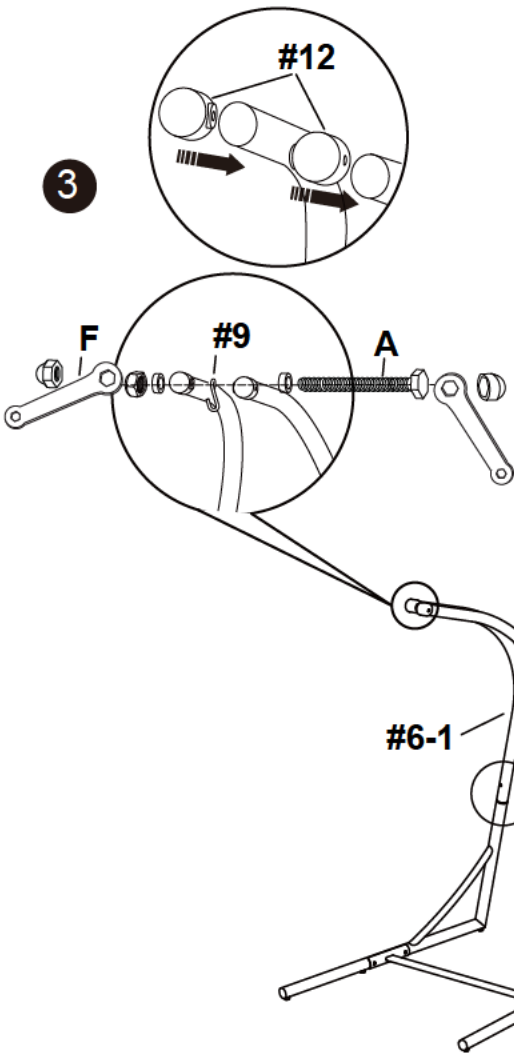
1



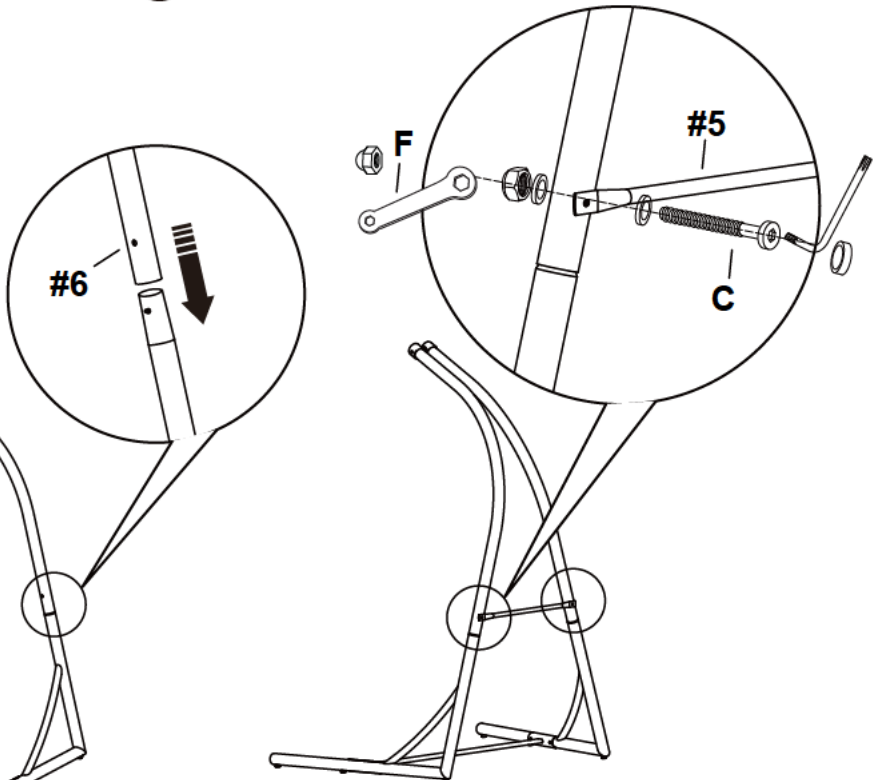
2



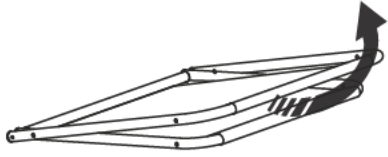
3



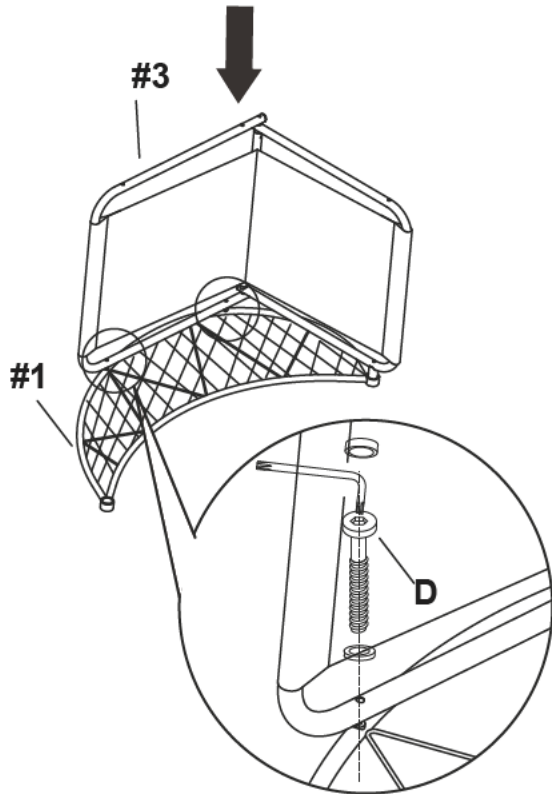
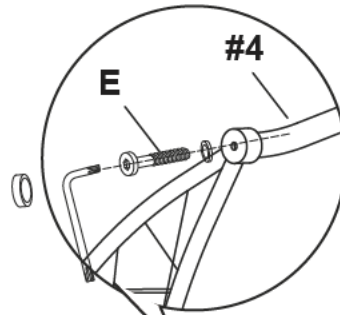
4



5

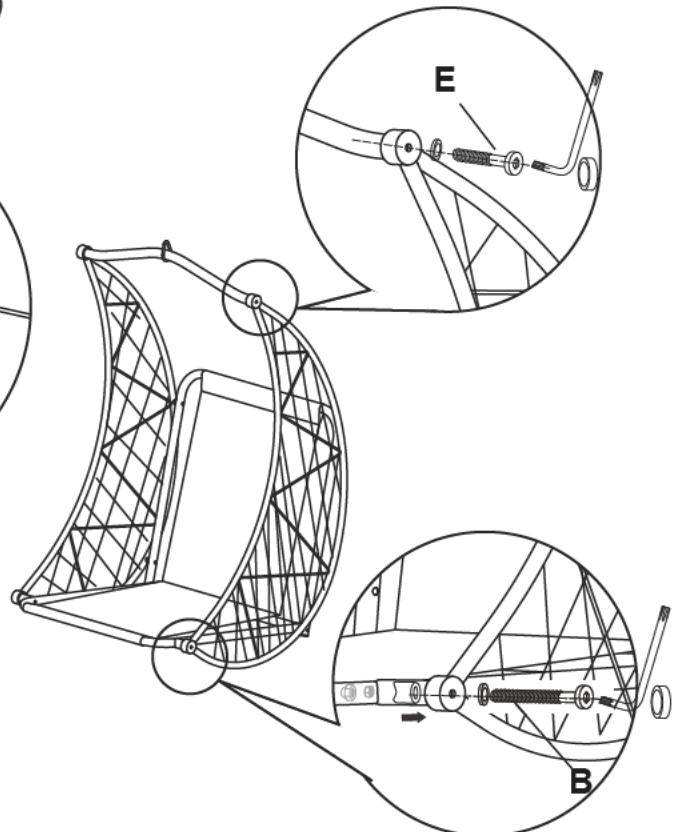
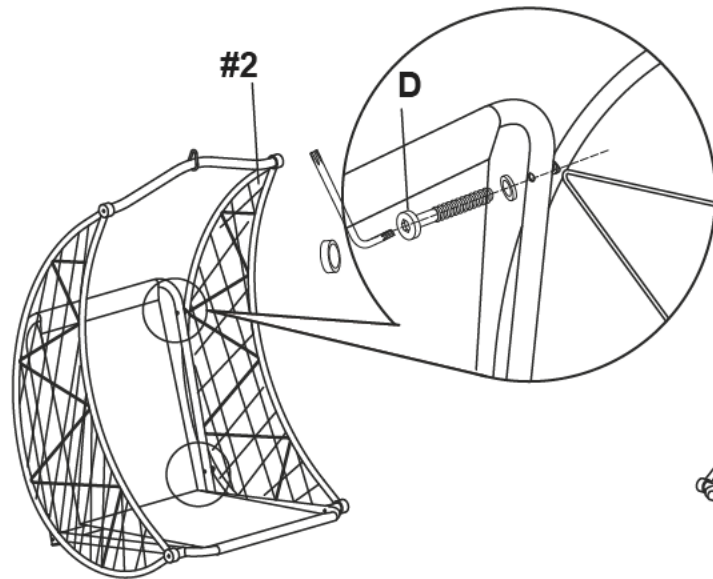


6



8

7



9

