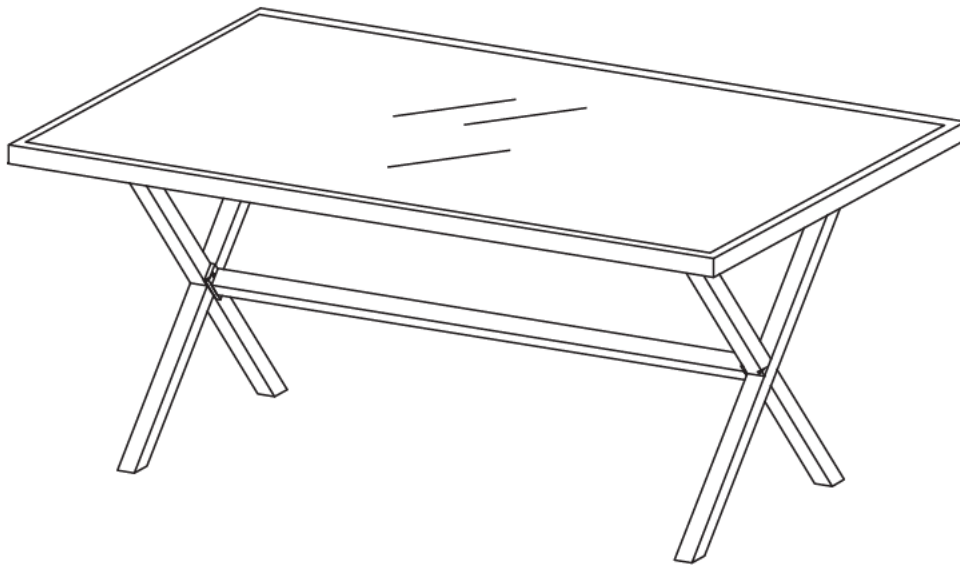












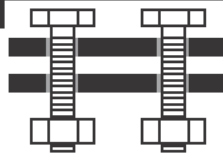
5 704766 109377 >  
Produced for Harald Nyborg A/S  
Gl. Højmevej 30, DK-5250 Odense SV  
Best. nr. 10937

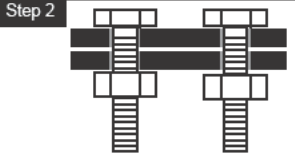



PARTS LIST		
CODE	PARTS	QTY.
A		1
B		2
C		1
D		1

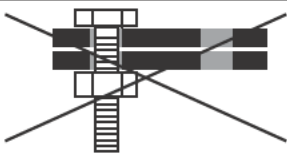
HARDWARE LIST		
CODE	PARTS	QTY.
E		12
F		4
G		1
H		1

Step1: Install all the relevant screws, but do not tighten them completely at the very beginning.  
 Step2: Tighten the screws fully one by one.

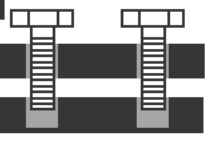
Step 1 


Step 2 


 Don't tighten up the screw before you start next mounting during the installation.



Step1: Install all the relevant screws, but do not tighten them completely at the very beginning.  
 Step2: Tighten the screws fully one by one.

Step 1 

Step 2 

 Don't tighten up the screw before you start next mounting during the installation.

