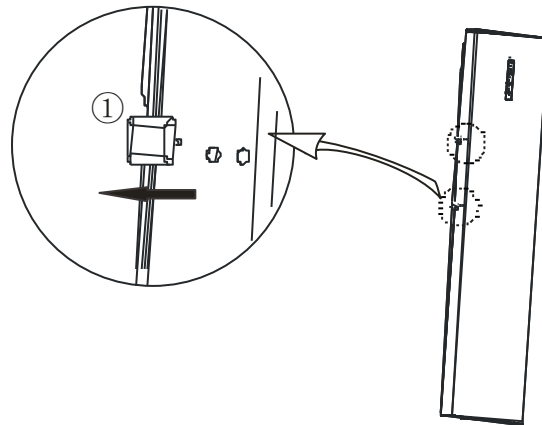


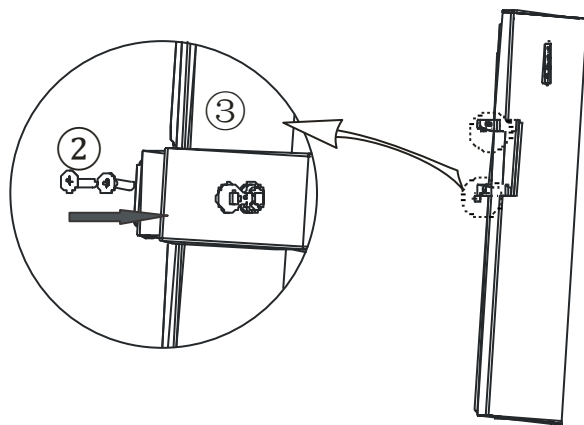
1)

Remove the insert pin ①



2)

Adjust the handle ③ to the installing hole and tighten screw ②.



3

Cover the nut cap ④ of handle hole

