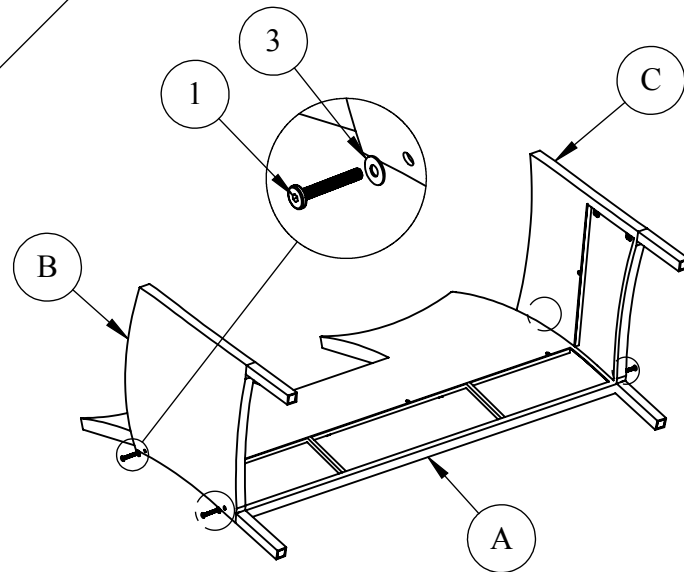
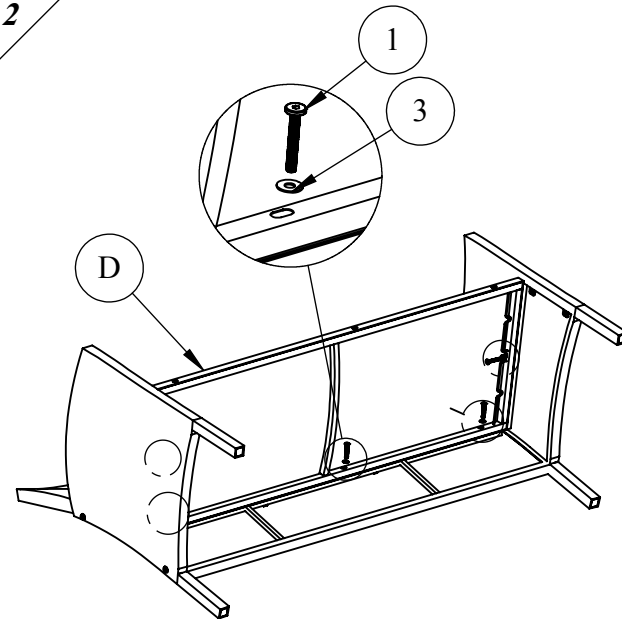


# ASSEMBLY INSTRUCTION

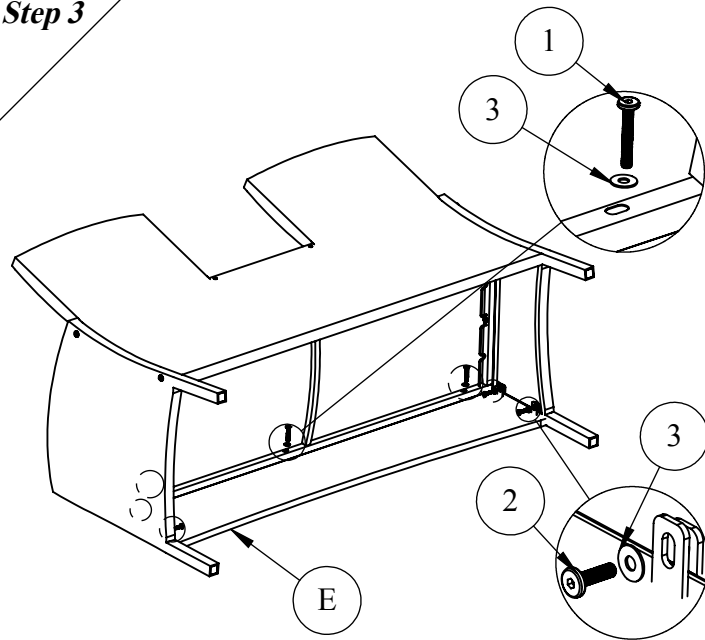
**Step 1**



**Step 2**



**Step 3**



**Finish**

