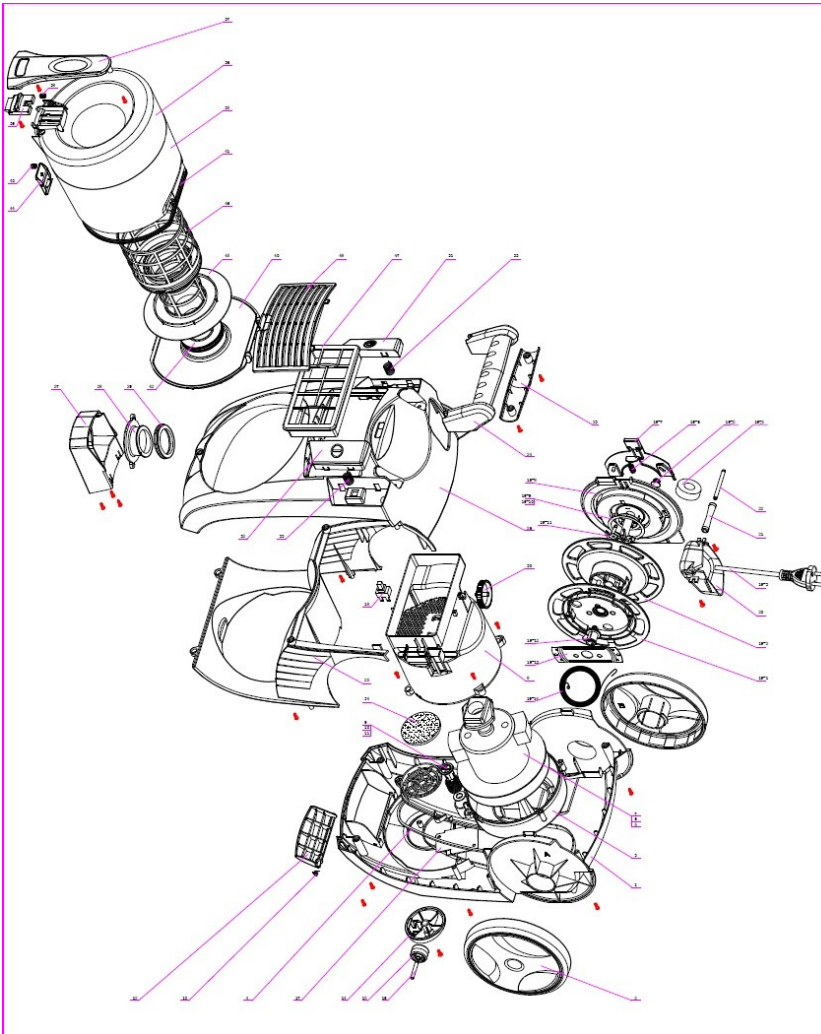


# STØVSUGER WASCO 200W POSE

Model nr. C001

Best.nr. 3895



Item no.	Item	Qty
1	Base	1
2-1	Big wheel	1
2-1-1	Big wheel	1
2-2	Rotate wheel cover	1
3	Air flow plate for motor	1
4	Sealing ring for motor airflow plate	1
5	Shock absorption ring of motor	1
6	Motor	1
7	Backseat of motor	1
8	Motor mask	1
9	Vacuum valve body	1
10	Spring for vacuum valve	1
11	Vacuum valve jump plate	1
12	Front handle cover	1
13	Spring for front handle cover	1
14	Rotate wheel holder	1
15-1	Rotate wheel	1
15-2	Rotate wheel cover	1
16	Rotate wheel axis	1
17	PCB	1
18	On/ off switch	1
19-1	Right plate	1
19-2	Left plate	1
19-3	Power cord	1
19-4	Brake wheel	1
19-5	Brake wheel holder	1
19-6	Spring for brake knob	1
19-7	Brake knob	1
19-8	Side plate	1
19-9	Small ring	1
19-10	Big ring	1
19-11	plate	2
19-12	Middle axis	1
19-13	Fixing plate for rolling spring	1
19-14	Rolling spring	1
20	Cable window	1
21	Cable guide sleeve	1
22	Cable guide	1
23	Handle cover	1
24	Handle	1
25	Middle body	1
26	Top cover	1
27	Suction ring	1
28	Suction part	1
29	Suction seal ring	1
30	Speed variable knob	1
31	Cord rewinder pedal	1
32	On/ off pedal	1
33	Spring for on/ off pedal	4
34	Air inlet filter	1
35	Dust cup	1
36	Dust cup cover	1
37	Dust cup handle	1
38	spring for dust cup fixing knob	1
39	Dust cup fixing knob	1
40	Dust cup bottom cover	1
41	Seal ring for bottom cover	1
42	Bottom seal ring	1
43	Spring for dust release knob	1
44	Dust release knob	1
45	Inlet Hepa holder	1
46	Nelyon cover	1
47	Hepa holder	1
48	Air outlet grid	1